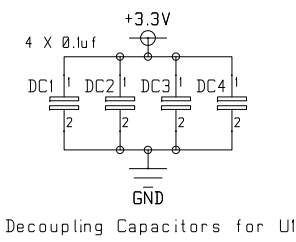
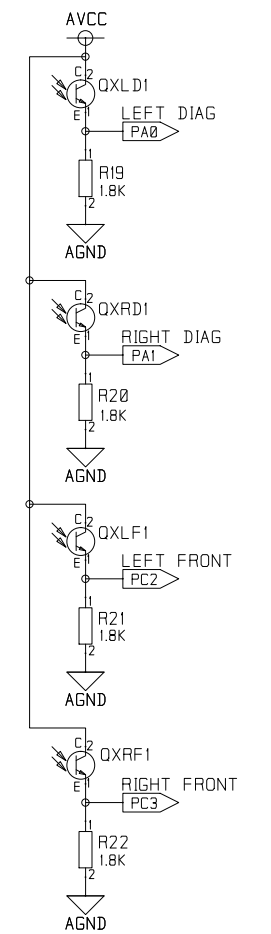
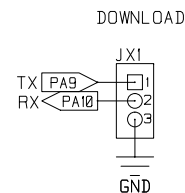


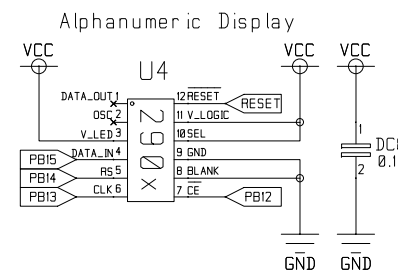
Photo NPN Transistor
4 X TEFT4300



Decoupling Capacitors for UI

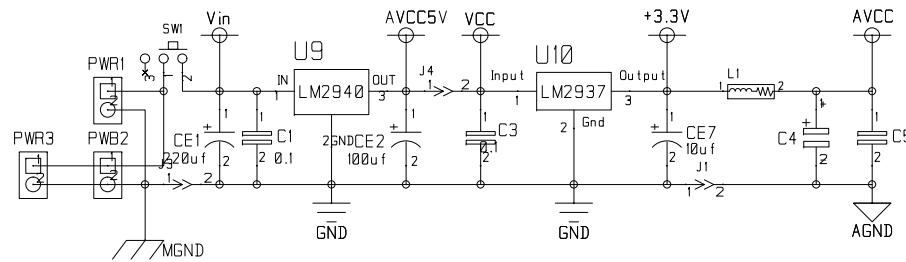
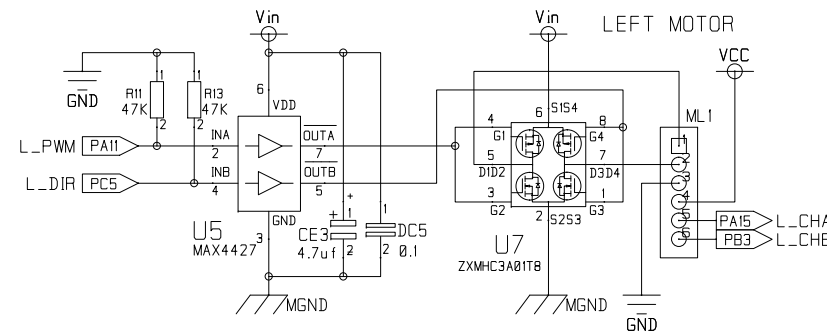
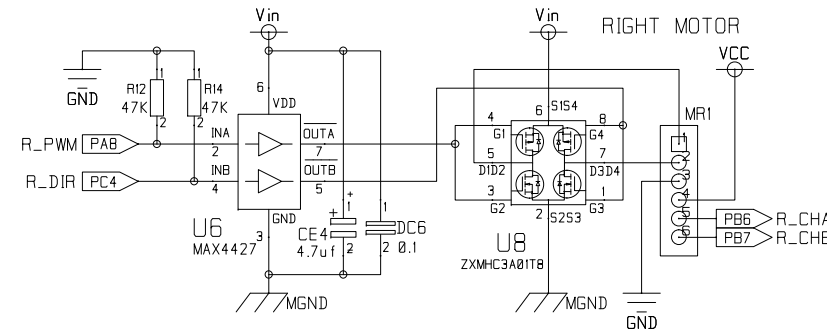


DOWNLOAD



Alphanumeric Display

Power-On indicator



CONTRACT NO.		COMPANY NAME Ngee Ann Polytechnic			
APPROVALS	DATE	DWG MIN7-V3			
DRAWN	FEB 2011	SIZE	FSCM NO.	DWG NO.	REV.
CHECKED		b			
ISSUED		SCALE			SHEET 1 of 1